

Spare parts list Pusher leg rockdrills

	Valid from serial number
BBC 34W	MHN038428
BBC 34WS	MHN038428

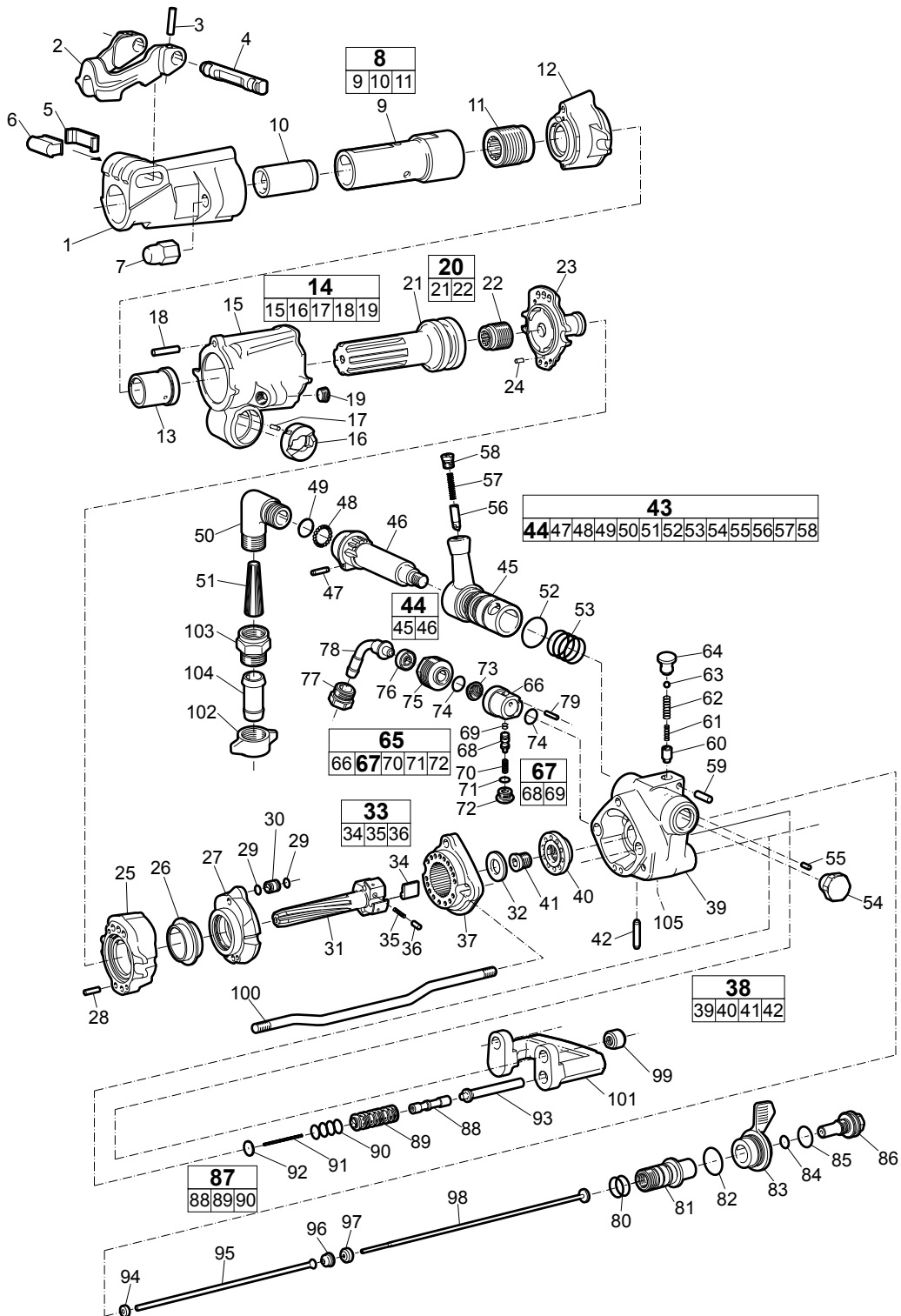


Contents

Spare parts list	4
BBC 34W/WS - 8311 0408 05/8311 0303 47	4
Accessories	7
Optional equipment	7
Rock drill AIR-OIL	7
Kits	8
Seal kit - 3121 5000 91	8
Conversion to air flushing kit - 3115 2785 90	8
Side bolt kit	9
Silencer kit - 3121 5000 41	9

Spare parts list

BBC 34W/WS - 8311 0408 05/8311 0303 47



No.	Description	Remark	Quantity	Part number
1	Front head		1	3121 0154 00
2	Drill steel retainer		1	3121 0851 00
3	Spring pin		2	0108 3392 00
4	Retainer pin		1	3115 2925 00
5	Buffer plate		1	3121 0029 00
6	Buffer		1	3121 0030 00
7	Side bolt nut		2	3121 0872 00
8(9-11)	Rotation chuck set		1	3121 0826 80
9	Rotation chuck		1	-
10	Rotation chuck bushing		1	3121 0824 00
11	Chuck nut		1	3115 1220 00
12	Intermediate part		1	3121 0751 00
13	Bushing		1	3121 0752 00
14(15-19)	Cylinder set		1	3121 0755 80
15	Cylinder		1	-
16	Washer		1	3121 0599 00
17	Pin		1	0101 1274 00
18	Spring pin		1	3115 1417 00
19	Plug		2	3121 0707 00
20(21-22)	Piston set		1	3121 0767 80
21	Piston		1	-
22	Rifle nut		1	3121 0754 00
23	Bearing		1	3121 0756 00
24	Spring pin		1	0108 1319 00
25	Valve casing		1	3121 0757 00
26	Main valve		1	3121 0758 00
27	Valve cover		1	3121 0759 00
28	Spring pin		1	0108 1322 00
29	O-ring		2	0663 6120 00
30	Pipe		1	3121 0673 00
31	Rifle bar		1	3121 0626 00
32	Washer		1	3121 0627 00
33(34-36)	Pawl set		1	3115 9200 90
34	Pawl		4	3101 3159 00
35	Prepressure spring		4	3100 9140 02
36	Pawl pin		4	3100 9641 01
37	Ratchet box		1	3121 0898 00
38(39-42)	Back head set		1	3121 0597 83
39	Back head		1	-
40	Guide ring		1	3121 0592 00
41	Stop screw		1	3121 0604 00
42	Valve pin		1	3121 0586 00
43(44,47-58)	Throttle valve set		1	3121 0489 81
44(45-46)	Throttle valve with inlet plug		1	3121 0489 80
45	Throttle valve		1	-
46	Inlet plug		1	-
47	Pin		1	3121 0595 00
48	Ball		20	0517 1108 00
49	O-ring		1	0663 2128 00
50	Inlet nipple for air	25 mm (1")	1	3121 0521 00
51	Air strainer		1	3121 0513 00
52	O-ring		1	0663 2135 00
53	O-ring		3	0663 2132 00

No.	Description	Remark	Quantity	Part number
54	Plug		1	3121 0493 00
55	Pin		1	0101 1274 00
56	Ratchet pin		1	3121 0490 00
57	Spring		1	3121 0491 00
58	Plug		1	3121 0492 00
59	Pin		1	3121 0595 00
60	Pin		1	3121 0558 00
61	Spring		1	3121 0564 00
62	Spring		1	3121 0737 00
63	Ball		1	0517 1414 00
64	Valve seat		1	3121 0736 00
65(66,67,70-72)	Valve housing set		1	3121 0495 81
66	Valve housing		1	-
67(68-69)	Valve body set		1	3121 0713 80
68	Valve body		1	-
69	O-ring		2	0663 2112 00
70	Preassure spring		1	3121 0497 00
71	O-ring		1	0663 2122 00
72	Plug		1	3121 0714 00
73	Water strainer		1	3121 0501 00
74	O-ring		2	0663 2125 00
75	Adapter		1	3121 0716 00
76	Packing		1	3100 9653 00
77	Adapter		1	3121 0857 00
78	Inlet nipple for water	12.5 mm (½")	1	3121 0854 00
79	Spring pin		1	0108 1298 00
80	O-ring		2	0663 6129 00
81	Flushing tube bushing		1	3121 0731 00
82	O-ring		1	0663 2132 00
83	Lever		1	3121 0557 00
84	O-ring		1	0663 2122 00
85	O-ring		1	0663 9184 00
86	Plug		1	3121 0585 00
87(88-90)	Valve set	Valid from serial number: MHN038428	1	3121 0726 81
88	Valve		1	-
89	Valve liner		1	-
90	O-ring		4	0663 2124 00
91	Spring		1	3121 0725 00
92	Washer		1	3121 0724 00
93	Valve pin		1	3121 0675 00
94	Packing		1	3000 0121 00
95	Air flushing tube		1	3121 0768 00
96	Guide ring		1	3121 0776 00
97	Packing		1	3100 9646 00
98	Water flushing tube		1	3121 0460 00
99	Nut		2	3121 0894 00
100	Side bolt		2	3121 0760 00
101	Handle		1	3121 0674 00
102	Wing nut		1	9000 0339 00
103	Adapter		1	3000 5825 03
104	Hose nipple	25 mm (1")	1	9000 0326 00
105	Data plate		1	3115 2718 00

Accessories

Optional equipment

Description	Remark	Quantity	Part number
Compressed air hose, fitted with couplings	25 mm (1 in.)	1	9030 2051 00
Water flushing hose fitted with couplings	12.5 mm (½ in.)	1	9030 2069 00
Lubricator			
BLG 30, for mineral oil		1	8202 5102 05
CLG 30, for both mineral and synthetic oil		1	8202 5102 39
Water separator			
VAM 5A	airflow <120 l/s (254 cfm)	1	8092 0110 82
Air line accessories for 25 mm (1")			
Rubber hose	30 m	1	9030 2041 00
Claw coupling		1	9000 0313 00
Two-piece hose clamp		1	9000 0197 00
Pressure gauge for compressed air and water pressure			
Gauge		1	9090 0550 80
Extra needle set		1	9090 0678 90
Chuck bushing gauge	22 mm (⅞ in.) hexagon shank	1	3091 0038 00

Rock drill AIR-OIL

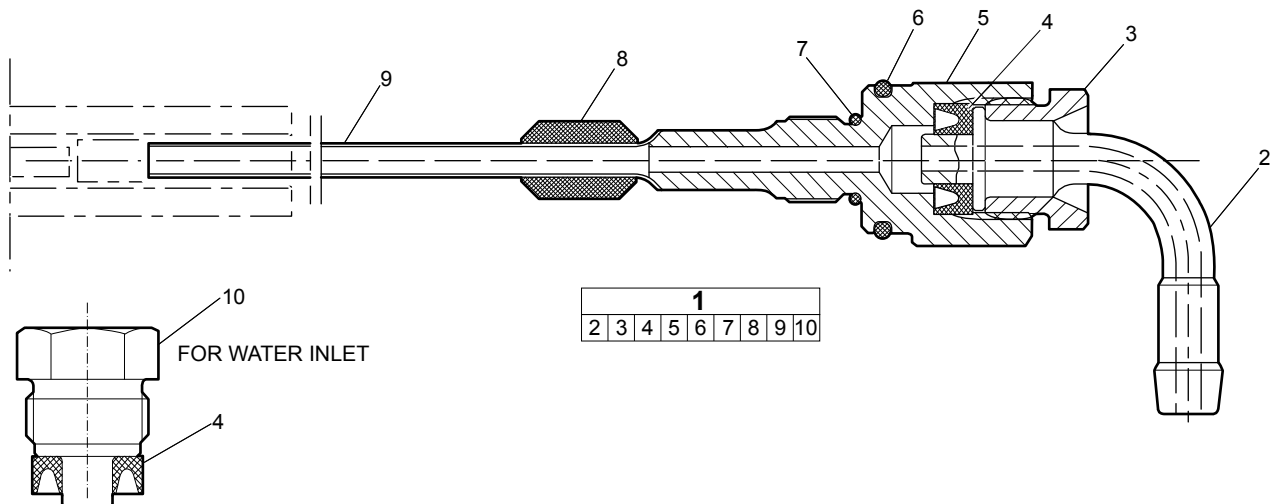
Description	Remark	Quantity	Part number
Rock drill AIR-OIL	1 l 0.22 US gal	1	8099 0201 01
Rock drill AIR-OIL	1 l 0.22 US gal	12	8099 0201 81
Rock drill AIR-OIL	4 l 0.88 US gal	1	8099 0201 04
Rock drill AIR-OIL	4 l 0.88 US gal	4	8099 0201 84
Rock drill AIR-OIL	10 l 2.2 US gal	1	8099 0201 10

Kits

Seal kit - 3121 5000 91

Description	Remark	Quantity	Part number
Seal kit		1	3121 5000 91
O-ring		2	0663 2112 00
O-ring		2	0663 2122 00
O-ring		4	0663 2124 00
O-ring		2	0663 2125 00
O-ring		1	0663 2128 00
O-ring		7	0663 2132 00
O-ring		1	0663 2135 00
O-ring		2	0663 6120 00
O-ring		2	0663 6129 00
O-ring		1	0663 6140 00
O-ring		1	0663 9184 00
Rubber packing		1	3000 0121 00
Rubber packing		1	3100 9646 00
Gasket		1	3100 9653 00

Conversion to air flushing kit - 3115 2785 90



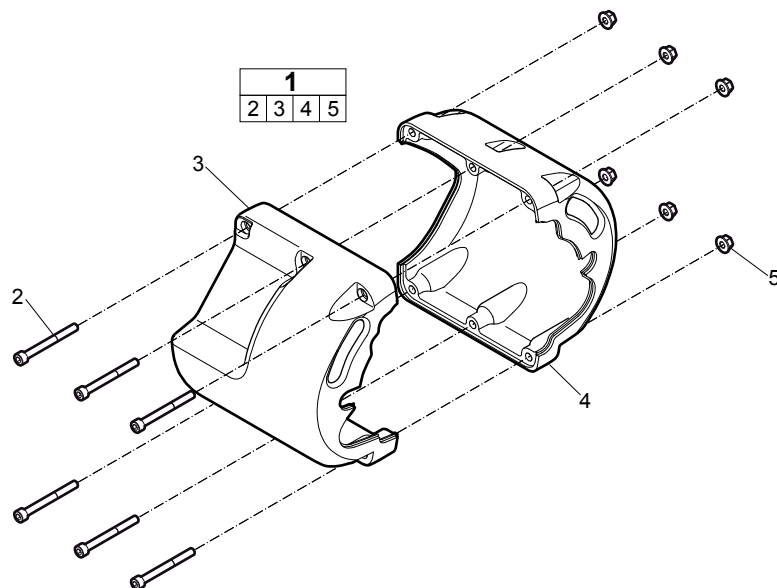
No.	Description	Remark	Quantity	Part number
1(2-10)	Conversion to air flushing kit		1	3115 2785 90
2	Nipple		1	3121 0854 00
3	Adapter		1	3121 0857 00
4	Gasket		2	3100 9653 00
5	Adapter		1	3115 2785 00
6	O-ring		1	0663 9184 00
7	O-ring		1	0663 2122 00

No.	Description	Remark	Quantity	Part number
8	Gasket		1	3121 0043 00
9	Flushing tube		1	3115 2784 00
10	Plug		1	3115 2786 00

Side bolt kit

Description	Remark	Quantity	Part number
Side bolt kit		1	3121 5000 27
Nut		2	3121 0872 00
Side bolt		2	3121 0760 00
Nut		2	3121 0894 00

Silencer kit - 3121 5000 41



No.	Description	Remark	Quantity	Part number
1(2-5)	Silencer kit		1	3121 5000 41
2	Screw		6	0211 1256 00
3	Silencer half, right		1	3121 5000 39
4	Silencer half, left		1	3121 5000 38
5	Flange nut		6	9232 0207 50

Any unauthorized use or copying of the contents or any part thereof is prohibited.
This applies in particular to trademarks, model denominations, part numbers, and
drawings.

© 2013 Atlas Copco Construction Tools AB | No. 9800 0686 01c | 2013-01-31